



Bulldog Commercial Hardware 6900 Series ANSI/BHMA Grade-2 Heavy Duty Interconnect Specifications



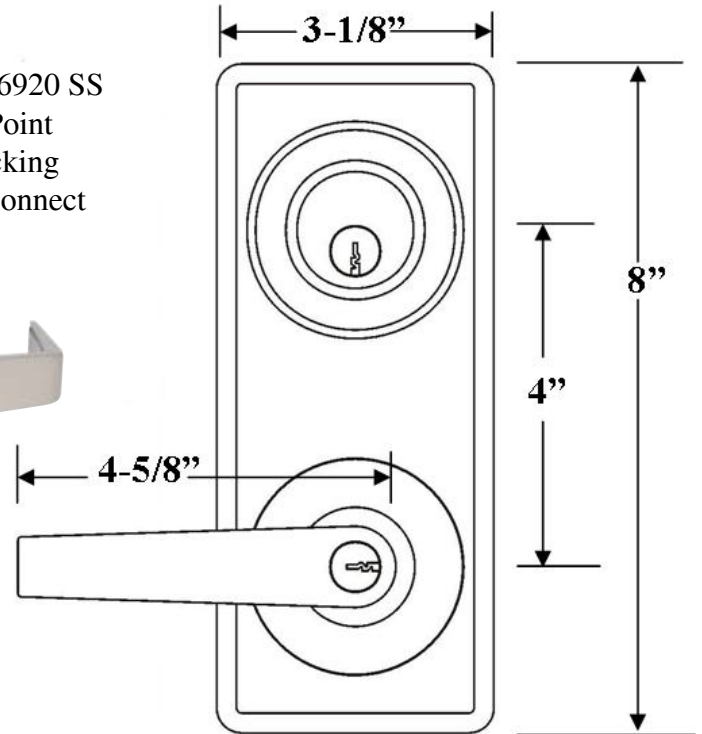
Meets ADA
Regulations



Avery 6920 SS
1-Point
Locking
Interconnect



Avery 6941 10B
2-Point
Locking
Interconnect



Stocking Finish		Special Order Finishes			Case Qty	Case Wt	Case Size
SS	10B	AB	PB	PS	Units	LBS	LxWxH
x	x	x	x	x	10	25	15x9x12

INTERCONNECT SPECIFICATIONS	
ANSI/BHMA	Grade-2.
Latch	2-3/8" backset, 1" round corner narrow faceplate std. 2-3/4" square corner optional .
Strikes	Deadbolt: PT-DS06 2-3/4" RCS std. Lever: PT-LS16 full lip RCS std.
Cylinder	5 pin KW1 std. "C" optional.
Door Prep	1" edge bore, 1"x 2-1/4" latch mortise, 2-1/8" cross bores, 4" Center to Center.
Door Thickness	Min 1-3/8", Max 1-3/4".
Handing	Non-Handed Design.
U.L.	3 hour, U.L. Labeled Fire Rated.
Warranty	Lifetime mechanical, 2 year finish.

INTERCONNECT FUNCTIONS		
	AL6920 Passage 1-Point Locking	Both levers always free turning to retract latch. Rotating inside lever simultaneously unlocks deadbolt. Deadbolt also unlocked with key or by rotating thumb turn.
	AL6941 Entry 2-point Locking	Key or inside push button locks both levers. Turning inside lever unlocks both levers and the deadbolt simultaneously. Deadbolt also unlocked with key or by rotating interior thumb turn.